





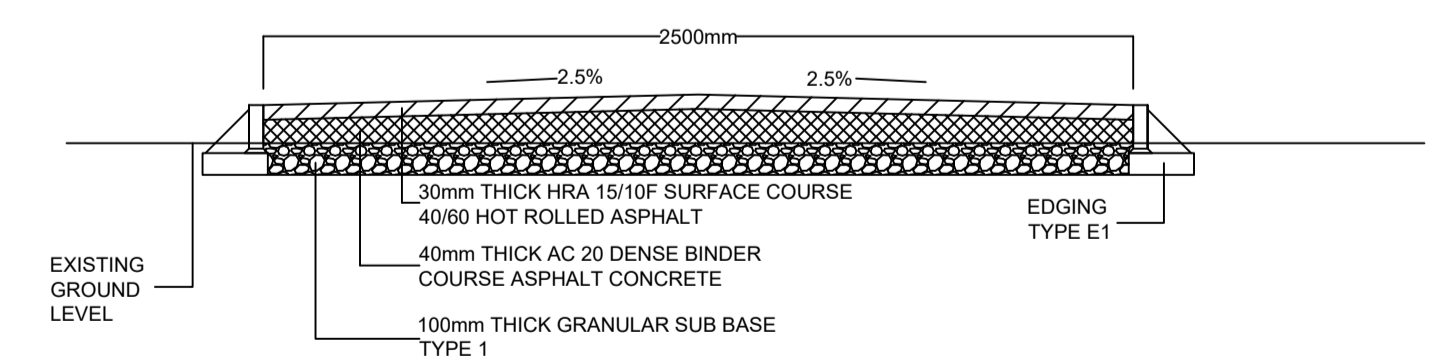


LEGEND:

-  SUPPLY AND INSTALL FOOTWAY CONSISTING OF 100mm THICK REGULATING LAYER OF MOT TYPE 1 SUB BASE ON VERGE, 40mm THICK AC20 BINDER COURSE AND 30mm THICK DBM 6mm SURFACE COURSE.
-  SUPPLY AND INSTALL NEW E1 EDGING KERB AS PER FIFE COUNCIL STANDARD DETAIL CS/SD11/14.
-  SUPPLY AND INSTALL NEW K3 BULLNOSE KERB AS PER FIFE COUNCIL STANDARD DETAIL CS/SD11/14.
-  SUPPLY AND INSTALL NEW K5 CONCRETE KERB AS PER FIFE COUNCIL STANDARD DETAIL CS/SD11/04.

NOTES:

- ROAD MARKINGS HAVE BEEN INDICATIVELY DRAWN.
- ALL LINING TO BE WHITE THERMOPLASTIC SCREED AND REFLECTORISED WITH SOLID GLASS BEADS.
- ALL MEASUREMENTS IN MILLIMETERS UNLESS OTHERWISE STATED.
- READ IN CONJUNCTION WITH ALL OTHER RELEVANT CONTRACT DRAWINGS.



SECTION A-A
SCALE: NTS

REV	AMENDMENTS	BY	APP'VD	DATE

Fife COUNCIL ASSETS, TRANSPORTATION & ENVIRONMENT
HEAD OF SERVICE - John Mitchell

TITLE:
**LINKS TO NEWPORT ON TAY AND WORMIT PRIMARY SCHOOLS
 PHASE 1 - WORMIT PS CROSSING GA (1 OF 3)**

DRAFT		TENDER	X	CONSTRUCTION		AS BUILT	
DESIGNED	CC	DRAWN	CC	CHECKED	CL	APPROVED	MM
DATE	22/11/2024	SCALE	NTS @ A1	DRAWING No.	P30066-001		